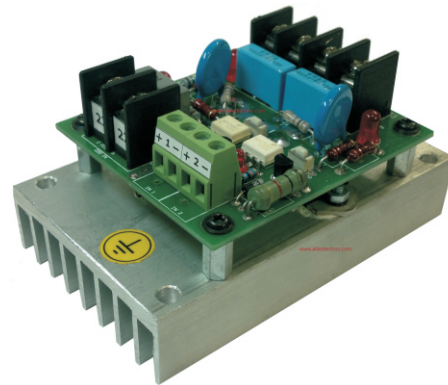


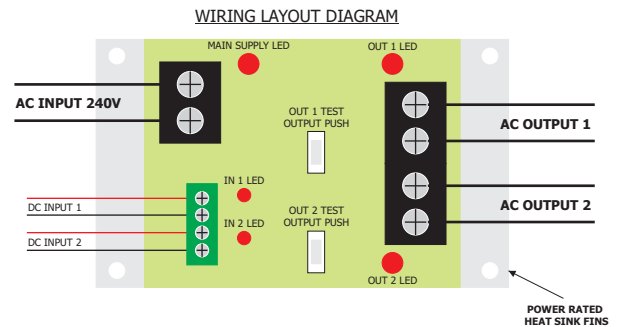
DUAL HEATER DRIVE AC SSR

KEY FEATURES

- Suitable for Dual Heater Drive for power 2000W 240V Each Channel
- Power Rated Fins Type Heat Sink Installed
- Manual Output Test Push Button
- Direct AC Input and Output High Power High temperature Connectors
- Wide DC Input Voltage 10-30VDC
- LED Indication For DC Input Signals
- LED Indication For AC Input and Outputs
- Trouble free and Repairable
- Built-in Surge Protection snubber Circuit
- 6 Month Warranty
- Easy To wire and Fault Diagnose
- General Conformal Coating for dirty Environment



MODEL: 20W POWER SSR



MANUFACTURE AND DESIGNED BY:



ALLIED TECHNO CONTROL SYSTEMS
JHUMRA ROAD, MANSOORABAD,
FAISALABAD, PAKISTAN-38000.
0092-41-2422950

SPECIFICATIONS

Controller Series	DUAL SSR 2 Series	
Dimensions	110 x 65 x 65 mm , weight 300g (approximate)	
Fitting Hole	90 x 55 mm (Drawing No.: Dual2K13)	
Terminal Connection	High Power / High Temperature / 25A 300V Connection Bar	
Voltage (AC INPUT/OUTPUT)	48 to 250 VAC 50-60Hz	
Operating Environment	5 to 60°C , humidity: 10 to 90% RH, non-condensing	
Instrument Case	Flame-Retardant (UL-94)	
Warm-up Time	FAST	
Input	Voltage	10-30VDC
	Input Sample Rate	10 mSec
	Accuracy	1 %
	Impedance	
Output	Resistive (heater)	Dual Output Max: 2000W each Channel
	Inductive (ac motor)	Dual Output Max: 350W each Channel